

GEARBOX FILL-IN SHEET

FORM. NF9M003-0

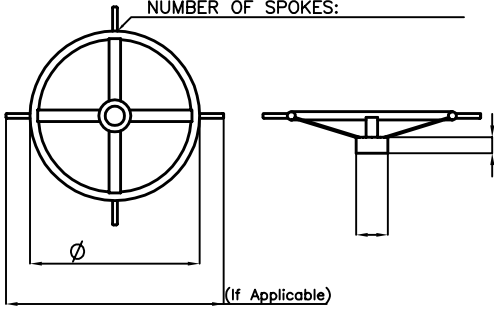
CREATED BY: PP CHECKED BY:

SPECIFY SHAPE AND SIZE OF STEM

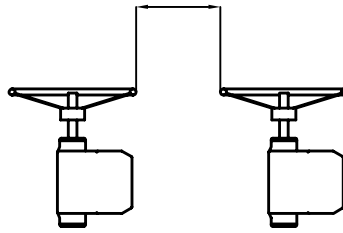
HANDWHEEL

NUMBER OF SPOKES: _____

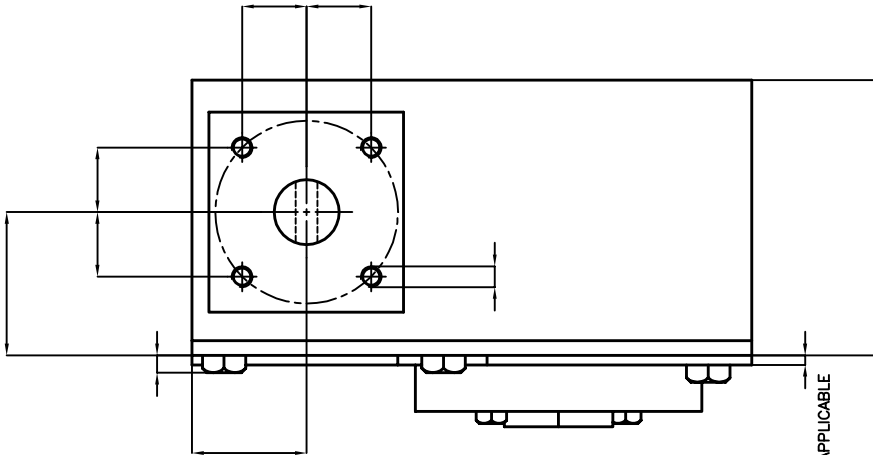
J AVAILABLE SPACING BETWEEN HANDWHEELS H



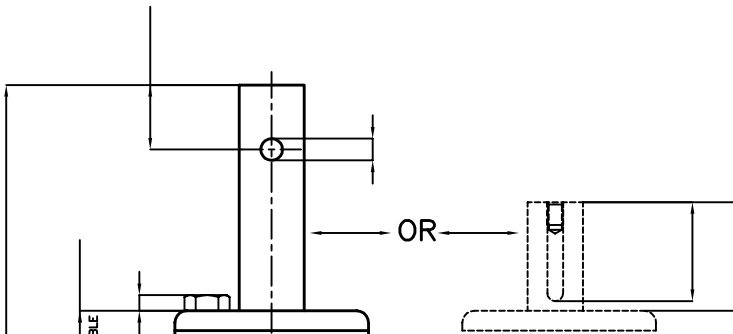
(If Applicable)



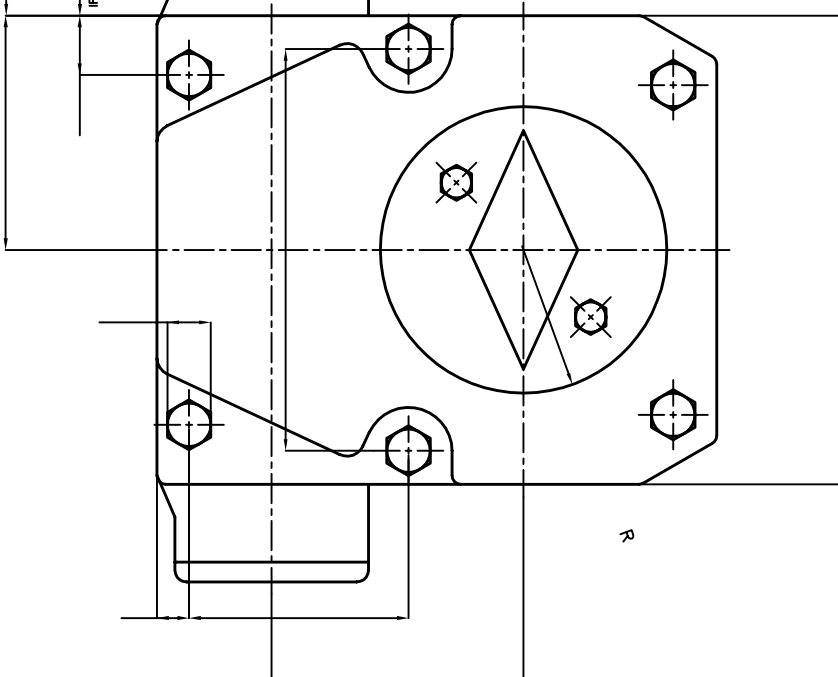
ONLY IF SPACING \geq 50 mm



IF APPLICABLE

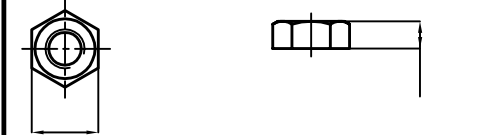
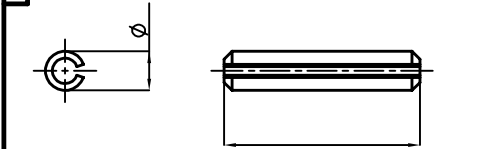
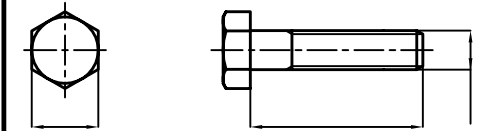


IF APPLICABLE

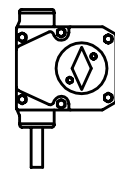
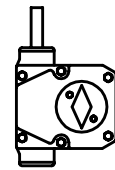


R

SPECIFY SORT AND SIZE OF HANDWHEEL-FASTENING



INDICATE APPLICABLE VIEW



CLIENT:

PROJECT:

P.O. No:

GST SYSTEME
 D-63517 Rodenbach Tel: 06184-95070
 This drawing must not be copied, lent or used in whole or part without written consent of GST Systeme GmbH

Make:	A Measured by:	Checked by:	Date:	B Valve / Tagno.
Size:	Sketchnr.			
Class:				
Number of Turns:				