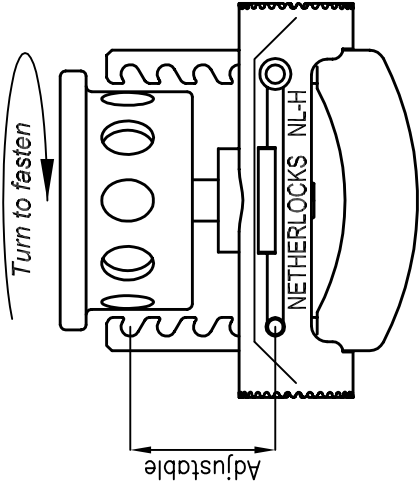
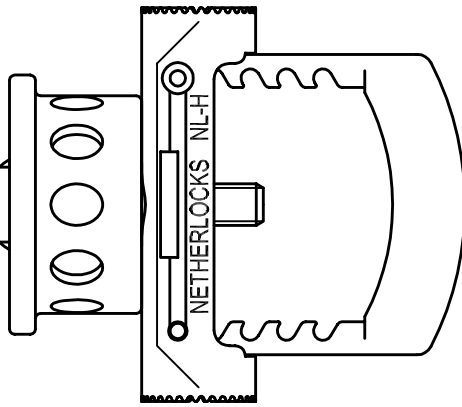
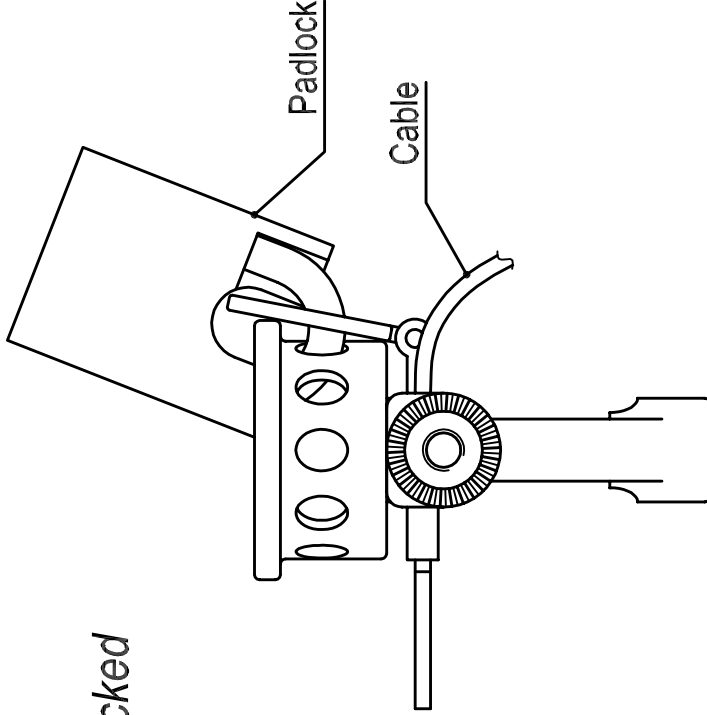
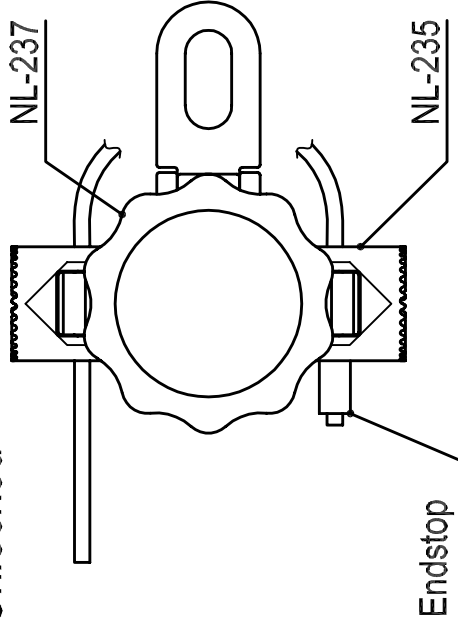
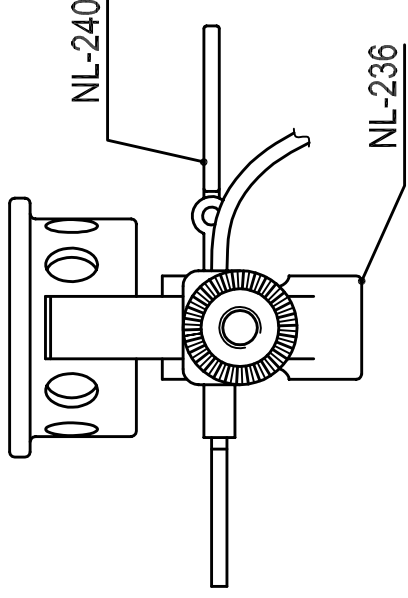



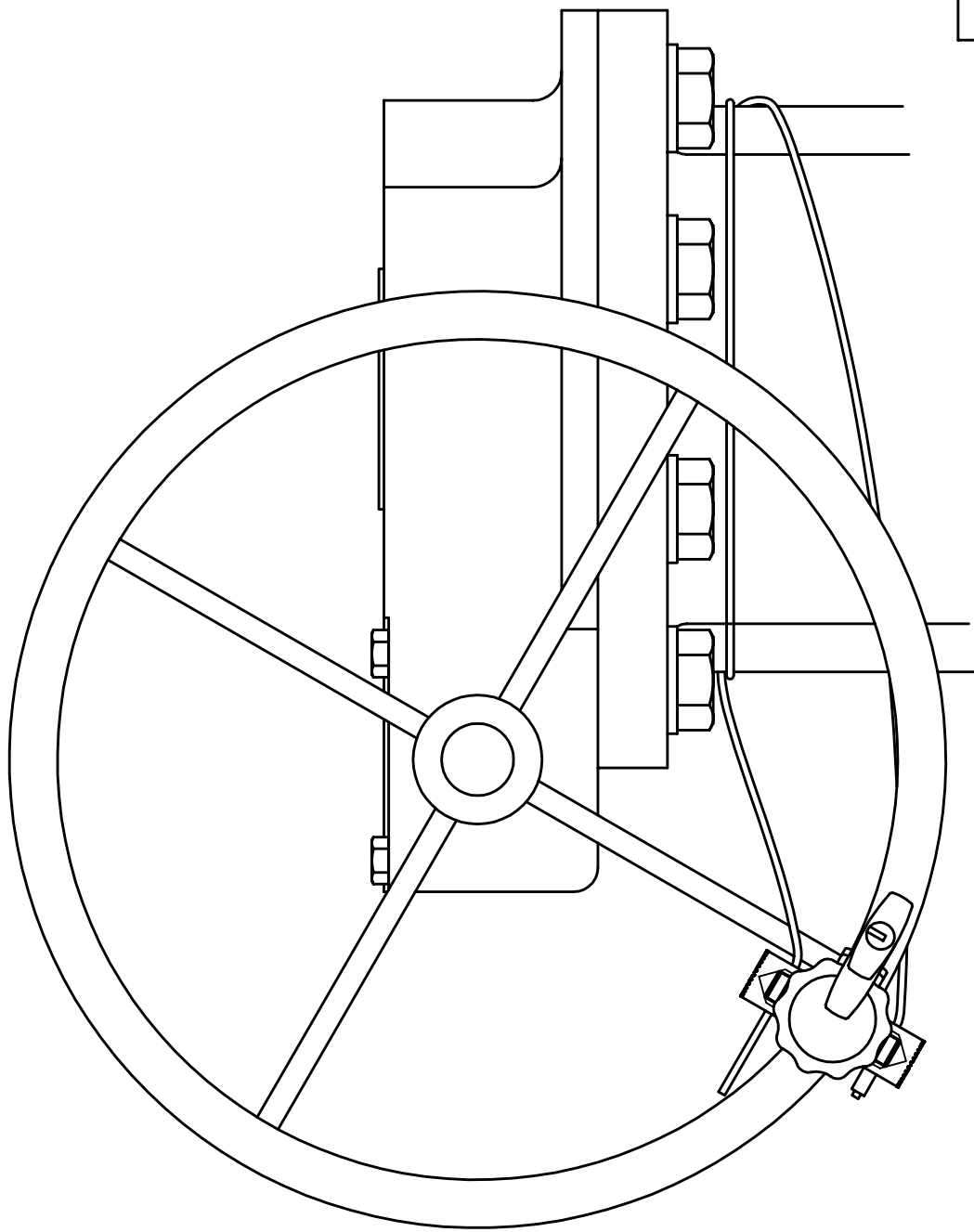
Locked




Unlocked



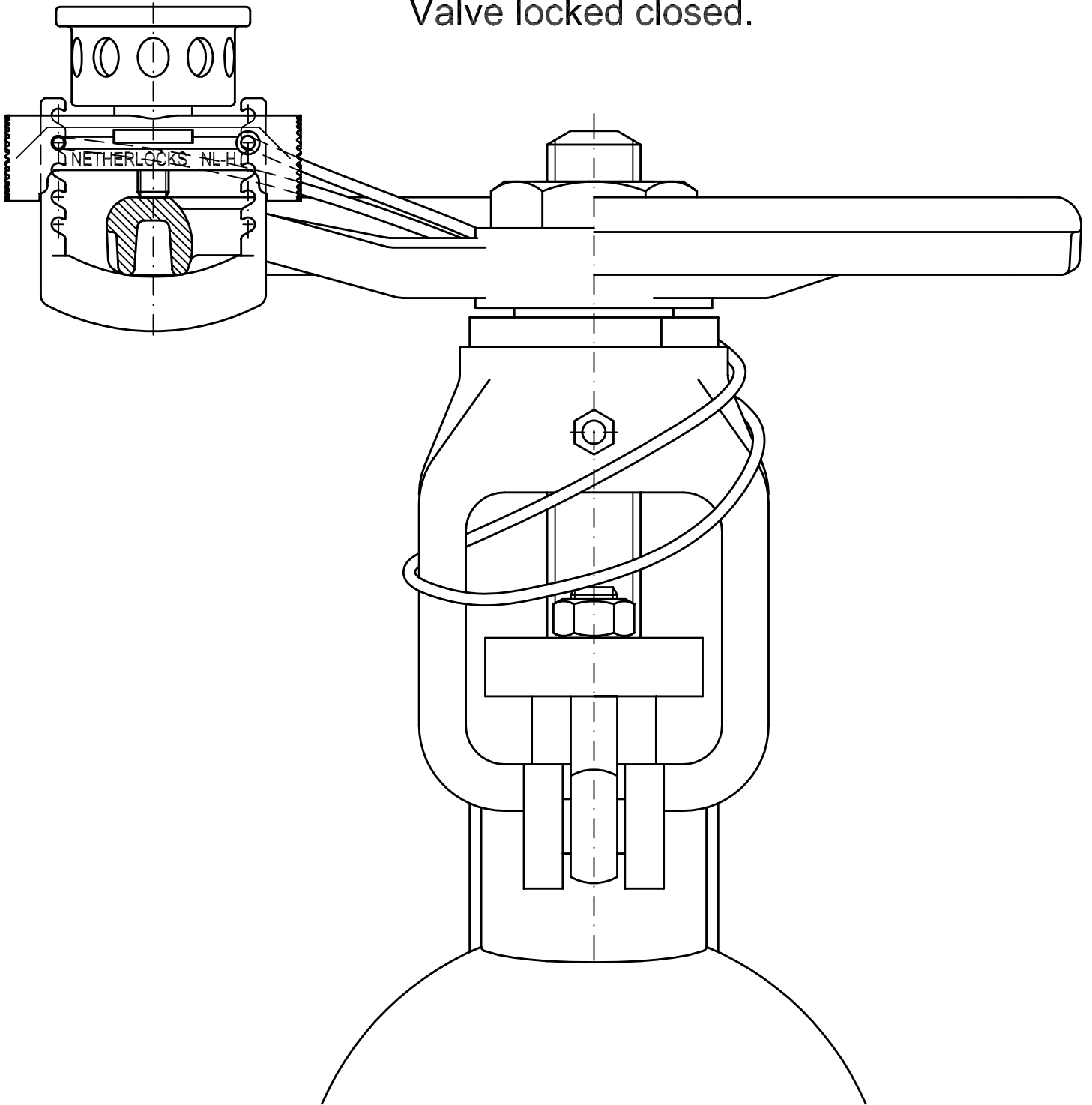
 Alzenerstraße 21, D-63517 Rodenbach Tel.: ++49(0)6181/9507-0 E-Mail: info@gst-systeme.de Copyright GST-SYSTEME GMBH		02	JPS	18.09.00	
		Rev.	Drawn	Date	Checked
Drawn:	JPS	Date:	22.06.00	Checked:	
Lock-Off Product					
Hybrid Lock					
General Arrangement					
Zeichnungsnummer:					LS1200041R01




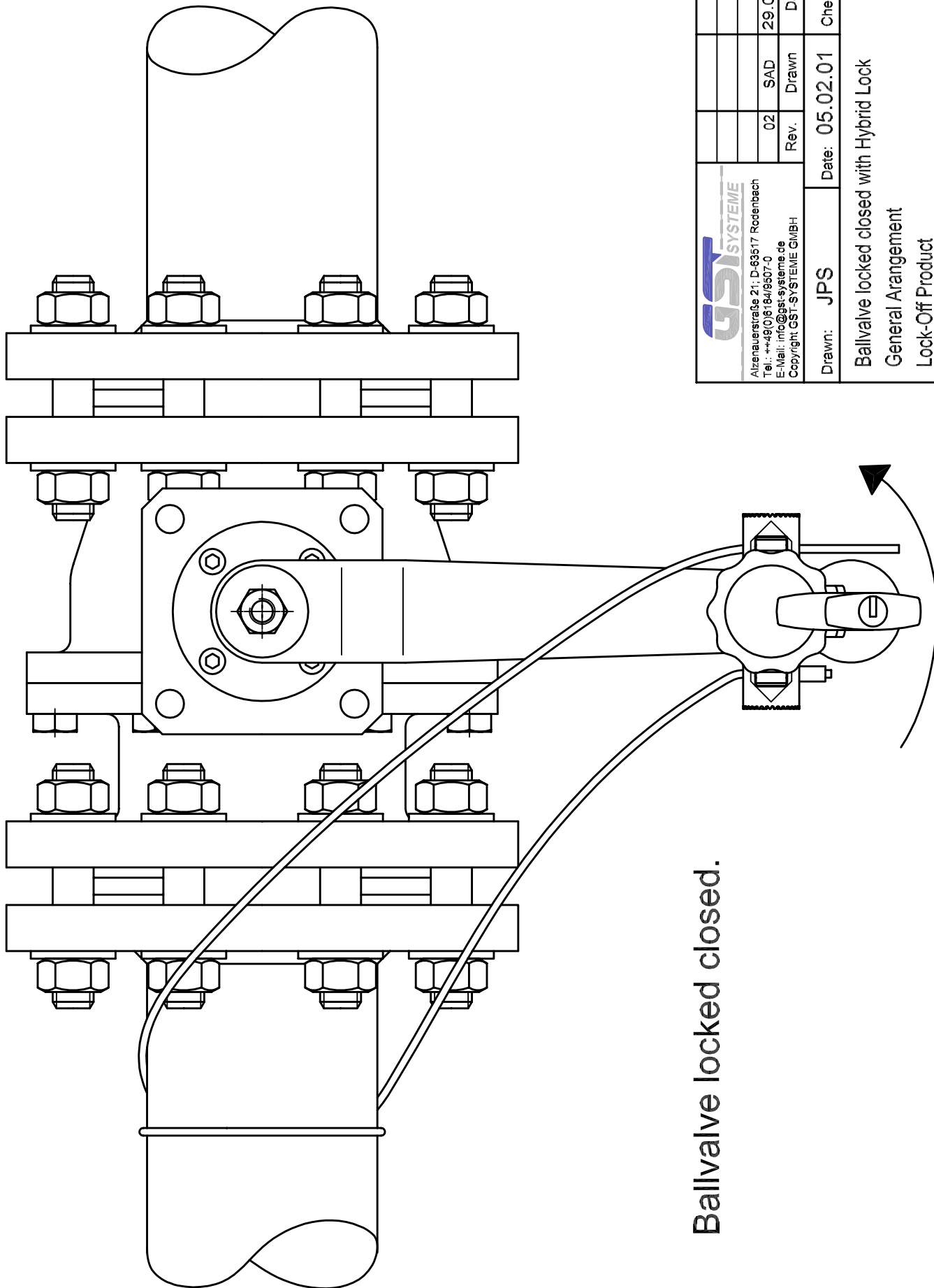
Valve locked Open.

 Alzenauerstraße 21, D-63517 Rodenbach Tel.: ++49(0)6184/9507-0 E-Mail: info@gst-systeme.de Copyright GST-SYSTEME GMBH		02	SAD	29.07.02	
		Rev.	Drawn	Date	Checked
Drawn:	JPS	Date:	05.02.01	Checked:	
Gearbox operated Valve locked open with Hybrid Lock					
General Arrangement					
Lock-Off Product					
Zeichnungsnummer:					LS1200042R02

Valve locked closed.



 Alzenauerstraße 21, D-63517 Rodenbach Tel.: ++49(0)6184/9507-0 E-Mail: info@gst-systeme.de Copyright GST-SYSTEME GMBH					
		02	SAD	29.07.02	
Rev.	Drawn	Date	Checked		
Drawn: JPS	Date: 02.02.01	Checked:			
Handwheel operated Valve locked closed with Hybrid Lock General Arrangement Lock-Off Product					
Zeichnungsnummer:			LS1200043R02		



Ballvalve locked closed.



Alpenauerstraße 21, D-63517 Rodenbach
 Tel.: ++49(0)1818419507-0
 E-Mail: info@gst-systeme.de
 Copyright GST-SYSTEME GMBH

02	SAD	29.07.02	Date	Checked
Rev.	Drawn	Date	Checked	

Drawn: JPS

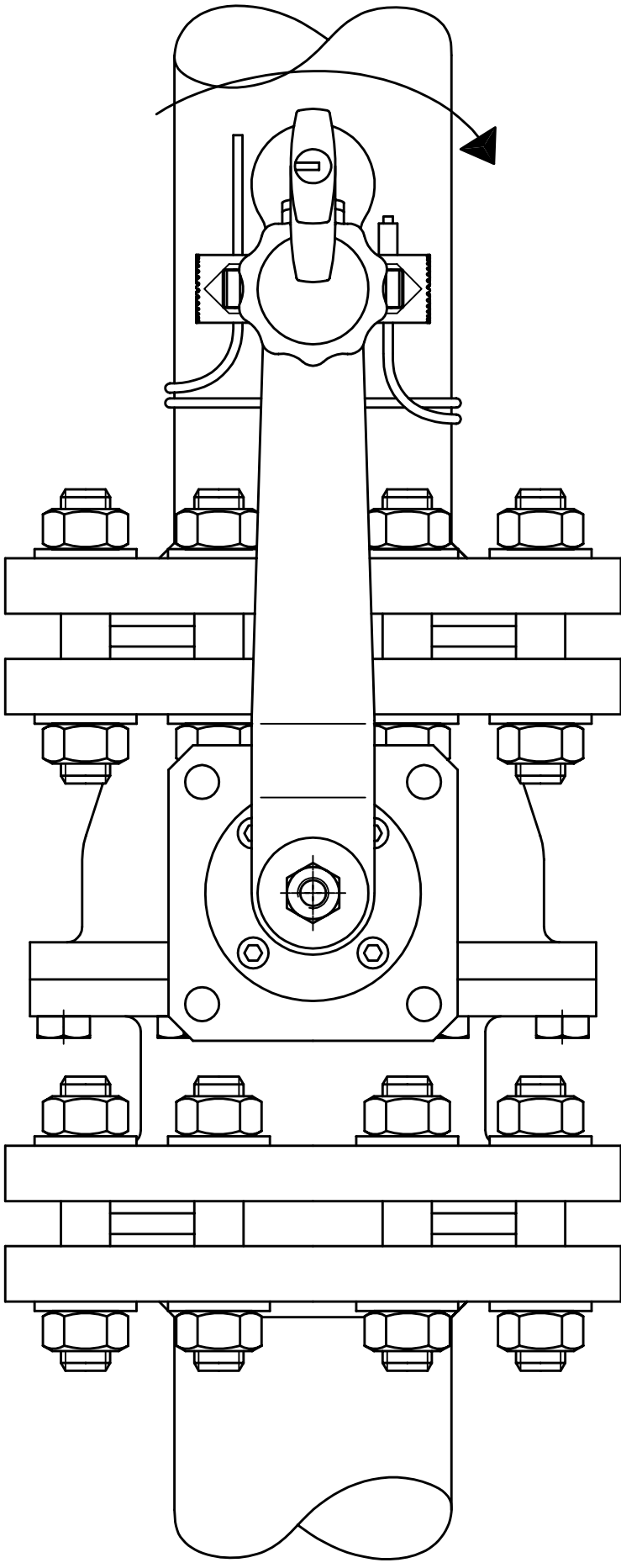
Date: 05.02.01

Checked:


Ballvalve locked closed with Hybrid Lock
 General Arrangement
 Lock-Off Product

Zeichnungsnummer:

LS1200044R02



Ballvalve locked open.


 Alzenauerstraße 21, D-63517 Rodenbach
 Tel.: ++49(0)1818419507-0
 E-Mail: info@gst-systeme.de
 Copyright GST-SYSTEME GMBH

Rev.	02	SAD	29.07.02	Date	Checked
Drawn	JPS	Date:	05.02.01	Checked:	
Ballvalve locked open with Hybrid Lock					
General Arrangement					
Lock-Off Product					

Zeichnungsnummer: LS1200045R02